

Pressure reducing valve for 2 pressure zones®



HAWIDO - REGULATING VALVES

Instruction for

**Two-stage pressure reducing valve with electrical
actuation
Type 1593**

DN40 - DN200



Keep this instruction manual at the location of the valve!

Example of a nameplate



Once the commissioning work has been completed, enter the following data and always specify this additional information concerning the valve type, pressure and flow ratios, whenever you consult or have reason to question the manufacture or supplier:

Year of manufacture:..... DN: PN:

Serial number:

CONTENTS

A. DESCRIPTION	2
1. FUNCTION	2
2. GENERAL SAFETY INSTRUCTIONS	2
3. RECOMMENDED INSTALLATION	3
B. COMMISSIONING	4
1. FUNCTIONAL DIAGRAM	4
2. PREPARATORY WORK	4
3. VENTING	5
4. SETTING-UP	5
5. SETTING THE REACTION SPEED	6
6. CHECKING FOR LEAKAGE	6
C. FAULT FINDING	7
D. PUTTING OUT OF SERVICE AND MAINTENANCE	8
1. PUTTING OUT OF SERVICE	8
2. MAINTENANCE AND SERVICE	8
2.1 GENERAL INFORMATION	8
2.2 ANNUAL FUNCTIONAL CHECKS	8
2.3 4 TO 5-YEAR MAINTENANCE	9
3. REPAIR KITS AND SPARE PARTS	10
3.1 MAIN VALVE WITH STAINLESS STEEL CONNECTION DN 40 TO DN 200 (DRAWING)	11
3.2 MAIN VALVE (PARTS LIST)	12
3.3 CONTROL VALVE PRESSURE REDUCING STAINLESS STEEL (DESIGN)	14
3.4 CONTROL VALVE PRESSURE REDUCING STAINLESS STEEL (PARTS LIST)	15
3.5 CONTROL LINE AND ACCESSORIES	16
3.6 2/2-WAY SOLENOID VALVE	21
3.7 OPTICAL POSITION INDICATOR (DRAWING)	22
3.8 OPTICAL POSITION INDICATOR (PARTS LIST)	23
E. ANNEX	24
1. TORQUES	24
F. HAWLE IN EUROPE	25

A. Description

1. Function

The two-stage pressure reducing valve for electrical remote control reduces a variable inlet pressure (p1) to a practically constant outlet pressure (p2). Fluctuating flow rate and inlet pressure (p1) have no effect on the controlled outlet pressure (p2).

The outlet pressure (p2) is adjustable in the range from 1.5 to 12 bar (standard).

The pressure reducing valve, type 1593, can work in 2 operating stages:

Operating stage a: In normal operation, the pressure reducing valve reduces a variable inlet pressure (p1) to a constant outlet pressure (p2) with the aid of a control valve (6). Example: p1 = 12 bar / p2 = 8 bar.

Operating stage b: The second operating stage can be put into operation by means of the solenoid valve (10 – energised) and the second control valve (9). Example: p1 = 12 bar / p2 = 10 bar.

Technical features:

Medium:	Drinking water
Pressure stages:	PN 10 (from DN 200 Standard) PN16 (up to DN150 Standard) PN25
Flanges:	Connection dimensions according to DIN EN 1092 - 2
Pressure gauge:	EN 837-1; Accuracy class 1.0
Main valve material:	EN-GJS-400-15
Temperature range:	2°C – 40°C

2. General safety instructions

These instructions must be read through carefully and understood before starting the commissioning. Damage to property and injuries to persons could occur as a result of improper installation, commissioning, operation and maintenance.

The Hawle regulating valve (HAWIDO) has been designed for use in drinking water supplies. Other application media only after consultation with the manufacturer.

The technical regulations (e.g. SVGW, ÖVGW, DVGW...) and codes of practice (e.g. VDE, VDI ...), laws and standards are taken as a minimum standard, and must be adhered to and applied.

Work on electrical installations (e.g. installation of electrical position indicators, solenoid valves, etc.) may only be carried out by personnel authorised for this work.

In principle, the responsibility for the layout, the installation position, the installation and the commissioning of the fittings in the pipe work lies with the designer, the installation company and/or the operator. Design or installation errors can adversely affect the safe operation of the regulating valve, and can represent a significant risk. Please consult us in case of doubt.

General limitations of use are as follow:

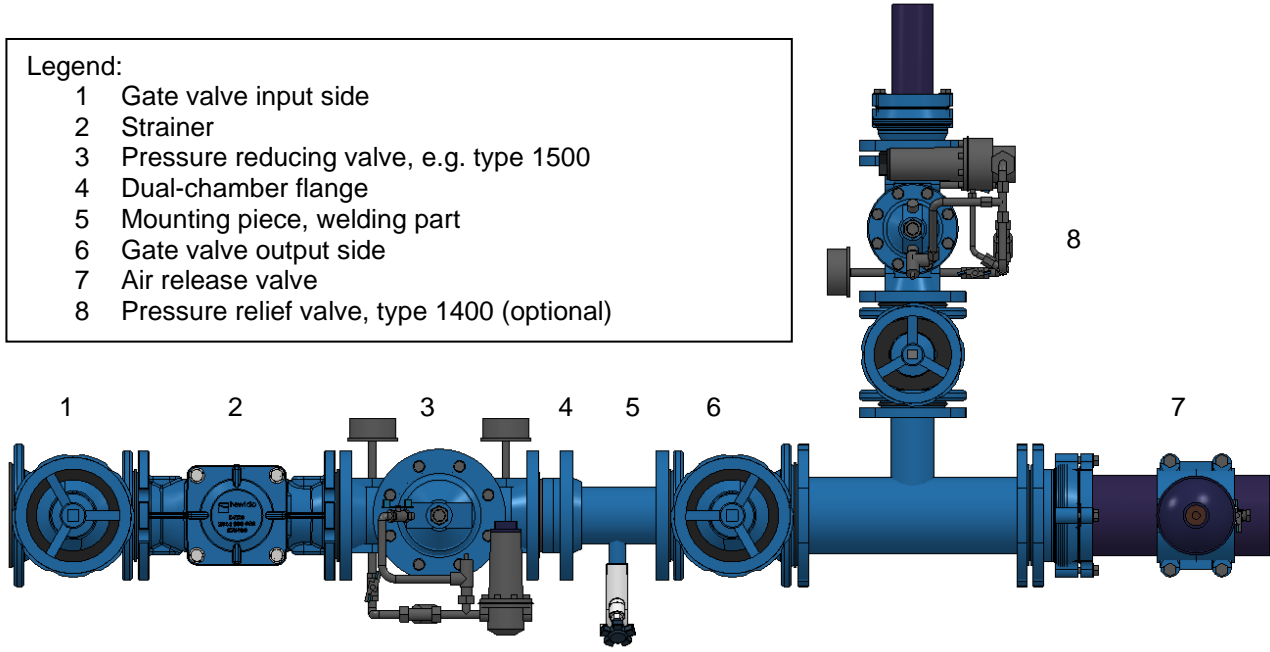
- Max. pressure ratio limits for continuous operation: p1 : p2 = 4 : 1
- Max. pressure ratio limits for short term operation: p1 : p2 = 6 : 1
- Minimum required pressure difference: 1 bar
- Maximum allowed pressure difference: 20 bar

- Maximum allowed flow speed for continuous operation: 3 m/s
- Maximum allowed flow speed for short term operation: 5 m/s

3. Recommended installation

Before the installation, all pipe work must be blown or flushed through to prevent any foreign material such as pieces of wood, stone etc. from entering the valve.

- Legend:
- 1 Gate valve input side
 - 2 Strainer
 - 3 Pressure reducing valve, e.g. type 1500
 - 4 Dual-chamber flange
 - 5 Mounting piece, welding part
 - 6 Gate valve output side
 - 7 Air release valve
 - 8 Pressure relief valve, type 1400 (optional)



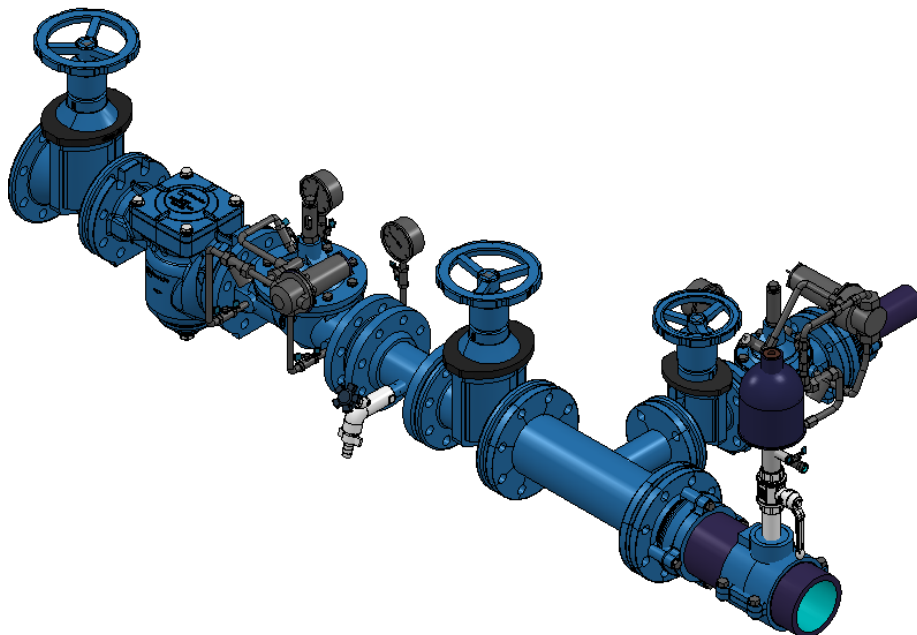
Regulating valves are normally fitted with the valve cover upwards and it is recommended that shut-off valves be fitted on both sides plus a dirt trap on the inlet side. Depending on the installation situation, a mounting adapter may also be required.

During maintenance, the valve is taken out of service. For this situation, a bypass system must be considered for an uninterrupted supply.

Depending on the hydraulic conditions, the installation of a pressure relief valve type 1400 in the outlet downstream of the pressure reducing valve must be checked.

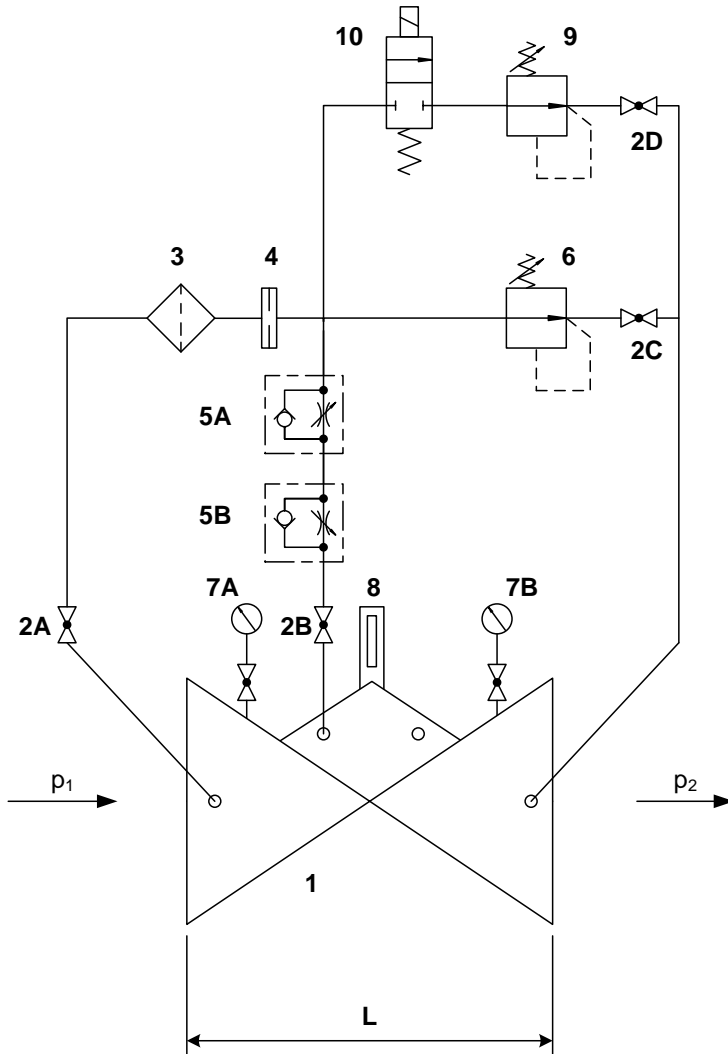
Before commissioning, a check should be made that no coarse foreign bodies can penetrate into the HAWIDO.

For other types of installation, please contact us for advice.



B. Commissioning

1. Functional diagram



Components

- 1 Base valve 1200
- 2 Ball valve (A, B, C, D)
- 3 Filter
- 4 Orifice plate
- 5 One-way flow restrictor (A,)
- 6 Pressure reducing valve, operating stage a
- 7 Pressure gauge (A, B)
- 8 Electrical position indicator (optional)
opt. Position indicator (optional)
Valve opening limiter (optional)
- 9 Pressure reducing valve, operating stage b
- 10 Solenoid valve

2. Preparatory work

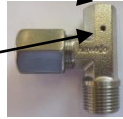
Before commissioning the valve, check that the gate valves on the inlet and outlet sides of the valve are **closed** and that the flange connections have been correctly tightened and sealed.

On the valve:

- Open ball valves (2A and 2B) and loosen the set screw lock nut on the one-way flow restrictor (5)
- Unscrew the adjusting screw on the one-way flow restrictor (5) by approximately 10 turns. (The line to the control chamber is open).
- Close the ball valves (2B and 2D)
- Loosen the threaded pin in the central plug on the position indicator by a few turns.
- Loosen the threaded pin in the venting elbow by a few turns.

Threaded screw in the venting elbow

Vent hole



- Lower the adjusting lever on the pressure reduction control valve (6 and 9) and turn the lever to the left until no resistance is felt from the spring.

3. Venting

Procedure:

Slowly open the inlet gate valve on the inlet side until water flows into the valve. The valve fills with water and the air escapes through the vent holes.

When all the air has been expelled by venting the valve in the control line, re-tighten the threaded pin. Check that all the screw connections are properly sealed, and re-tighten if necessary.

Slowly open the inlet gate valve completely.

Check: If the shut-off gate valve on the outlet side is slightly opened, the valve should close or remain closed. Then close the shut-off gate valve again.

If the valve does not close, the commissioning procedure must be repeated from the previous chapter. Particular care must then be taken to ensure that the upper valve chamber and control lines are properly vented.

4. Setting-up

Procedure:

Operating stage a:

- Pre-setting of the flow control valve (5). Screw in the setting screw as far as it can go and then unscrew it 4 turns.
- Open ball valve (2C, 2D).
- Electrical solenoid valve (10) is not energised.
- Slowly open the shut-off gate valve on the outlet side.
- Provide a water supply in accordance with the nominal valve size (e.g., by opening a hydrant), so that the outlet pressure can be set by means of the hand wheel on the control valve (6) (turning to the right increases the outlet pressure).
- Switch over the control valve adjusting lever again.

Operating stage b:

- Apply power to the electric solenoid valve (10).
- Provide a water supply in accordance with the nominal valve size (e.g., by opening a hydrant), so that the outlet pressure can be set by means of the hand wheel on the control valve (9) (turning to the right increases the outlet pressure).
- Switch over the control valve adjusting lever (9) again.

Note:

Wait for the hydraulic system to stabilise between each half turn of the hand wheel. Check the pressure on the outlet side using the pressure gauge.

If the required outlet pressure has been set (dynamic pressure or static pressure – the difference is approximately 0.5 bar), the adjusting lever of the control valve must be switched over again.

5. Setting the Reaction Speed

If the HAWIDO does not operate smoothly, or pressure surges occur in the pipe work, this can be corrected through corresponding adjustment of the one-way flow restrictor (5).

5A: setting of the opening reaction

5B: setting of the closing reaction

Procedure:

Loosen the locknut. Turn the set screw inwards in a clockwise direction with screwdriver, until the valve operates smoothly. And then tighten the locknut again.

Caution

The set screw must always be open to the extent of at least 3 to 5 turns, otherwise the valve will not open quickly enough after the closing operation. A special setting is required by very high inlet pressures.

The HAWIDO valves, type 1593 and 1594, close quickly. Depending on the plant system, this closing behaviour can lead to pressure surges in the piping system. In case of uncertainties or other questions, please contact our technical department

6. Checking for leakage

The HAWIDO's are tested at the factory for both leakage and function before delivery. When checking for leakage under operational conditions, particular attention must therefore be given to the seals of the flange connections, the control line and the central plug screw on the valve cover. Where necessary, ensure the seal by retightening the connections.

C. Fault finding

Symptoms	Possible cause	Action
Valve does not open	One-way flow restrictor blocked	Replace, or unscrew the set screw several times until the valve functions properly
	One-way flow restrictor closed too far	Unscrew the set screw until the valve functions properly
Valve does not close	One-way flow restrictor blocked	Replace, or screw the set screw fully in and out several times and then re-set
	Filter in the control line blocked	Clean the filter
	Air in the control line / upper valve chamber	Vent
	Foreign matter in the main valve	Carry out service and remove any foreign matter
	Diaphragm defective	Carry out a service. Replace the diaphragm
	Valve spindle jammed by encrustation	Carry out service and remove any encrustation
Loud noise	Unfavourable operating conditions	Change pressure by approx. 0.1 to 0.2 bar. Slightly open or close the one-way flow restrictor. Contact the Hawle Customer Service department.
	Wrong valve size	Have the correct valve size calculated (contact Hawle)
Erratic operation	One-way flow restrictor incorrectly set	Set according to Chapter 5
Original pressure values not reached	Pressure gauge faulty	Check or replace pressure gauge
	Changed operating conditions	Reset (see <i>Setting-up</i> paragraph)
EWS coating damaged	Transportation damage, installation damage	Repair with Hawle two-component repair set for coatings

D. Putting out of service and maintenance

1. Putting out of service

The operating valve must first be shut off hydraulically by proceeding as follows:

- Switch off power, remove power from valve
- **Slowly** close the gate valves before and after the valve
- **Slowly** close the ball valves (2A, 2B, 2D)

Caution: Electrical work may only be carried out by qualified specialist personnel!

The valve has now been taken out of operation, and a service can be carried out.

2. Maintenance and service

2.1 General information

Through our many years of experience with diaphragm valves that are controlled by the flow medium, we know that our HAWIDO's normally function trouble-free for many years. Regular maintenance is a precondition for this, however.

Under normal operating conditions, the following should be carried out:

- The valve should be checked for correct operation once a year (functional check)
- The dirt trap upstream of the valve and the filter in the control line should be cleaned once a year
- The inner working components should be checked and worn parts be replaced every four to five years (maintenance).

Under unusual operating conditions (e.g. with water that contains quantities of suspended matter, very high pressure reduction, small flow rates etc.), the functional checks and the service work should be carried out more frequently.

Maintenance label

2028	2029	2030	2031	2032
Nächste Wartung Prochain Maintenance Prossima Manutenzione Next Maintenance				
2033	2034	2035	2036	2037

Maintenance intervals are indicated by perforation or colored marking with a permanent marker

2.2 Annual functional checks

Cleaning the dirt trap in the main line

- Unscrew the lid
- Clean the filter with a brush or cloth etc., or replace it
- Install the filter and screw the lid back on

Cleaning the filter in the control line

- Unscrew the lid of the filter
- Clean the filter with a brush or cloth, or replace it
- Re-install the filter and screw the filter lid back on.

Checking the valve

- Remove the optical position indicator.
- Check that the valve spindle moves easily by raising and lowering it with the threaded rod.
- Install the optical position indicator.

Putting back into service

- according to Commissioning paragraph

Functional check of the valve

Caution: In order to avoid pressure surges in the functional check described below, large flow rates must be throttled by **slowly** closing the gate valve in front of the valve.

- **Slowly** close the ball valve (2C); the valve must close.
- **Slowly** open the ball valve (2C); the valve must open.

2.3 4 to 5-year maintenance

Dirt trap (main line)

- Unscrew the lid
- Clean or replace the filter
- Install the filter and screw the lid back on

Filter (control line)

- Unscrew the lid of the filter
- Clean or replace the filter mesh
- Re-install the filter and screw the filter lid back on.

Base valve (see chapter: *Repair kits and spare parts*)

- Loosen the screw connections and remove the complete control line.
- Dismantle the optical position indicator or assembled accessories and replace the gaskets.
- Undo the screws of the valve cover and remove the cover.
- Visually inspect all inner components for wear, dirt and scaling
- Clean the inner components, the seat and the inner surfaces, including the cover
- Dismantle the spindle guide in the body, flush the body interior.
For valves DN 40 to DN 100 (from 2012 on) and DN 125 to DN 200 (from 2014 on) the spindle guide is dismantled from the inside. Here the thread of the spindle guide and the base valve must be **extremely clean**. Grease the thread thoroughly (e.g. Foodgrease Aqua, Art. no. 5292, see chapter "Control line individual parts and accessories").
- Replace the diaphragm, the O-ring and the seat seal.
- Grease the spindle guide area with a grease suitable for contact with food (e.g. Foodgrease Aqua). Check the easy movement of the spindle by lifting and lowering with the spindle lifting tool (article number 1199, see chapter "Control line individual parts and accessories").
- Reassemble the base valve (see table in the annex for torques). During the assembly, the easy movement of the spindle must be checked with the spindle lifting tool by lifting and lowering **several times**.

Disassembling the control valve

- Switch over the clamping and adjusting lever
- Turn the adjusting lever to the left until no resistance can be felt from the spring
- Undo the housing screw
- Loosen the guide pin and the sealing plate
- Replace the diaphragm, the O-ring and, if necessary, the seal support
- Visually inspect the inner surfaces of the housing, and clean if necessary, including the cover

- Reassemble the control valve (see table in the annex for torques).

Functional check of the one-way flow restrictor

- Undo the locknut
- Screw in the throttle screw, and then unscrew it as far as it goes
- Screw in again a few turns. This process must be easy and meet little resistance

Checking the valve

- Remove the optical position indicator.
- Check that the valve spindle moves easily by raising and lowering it with the threaded rod.
- Install the optical position indicator.

Putting back into service

- according to Commissioning paragraph

Functional check of the valve

Caution: In order to avoid pressure surges in the functional check described below, large flow rates must be throttled by **slowly** closing the gate valve in front of the valve.

- **Slowly** close the ball valve (2C); the valve must close.
- **Slowly** open the ball valve (2C); the valve must open.

3. Repair kits and spare parts

Several spare parts are required for the four or five yearly maintenance. These can be obtained as a repair kit for:

- the main valve
- for the control valve
- for the control circuit
- optical position indicator

The article numbers are shown in the parts lists and spare parts lists.

Attention:

When ordering spare parts, always specify the valve type, serial number and year of manufacture.

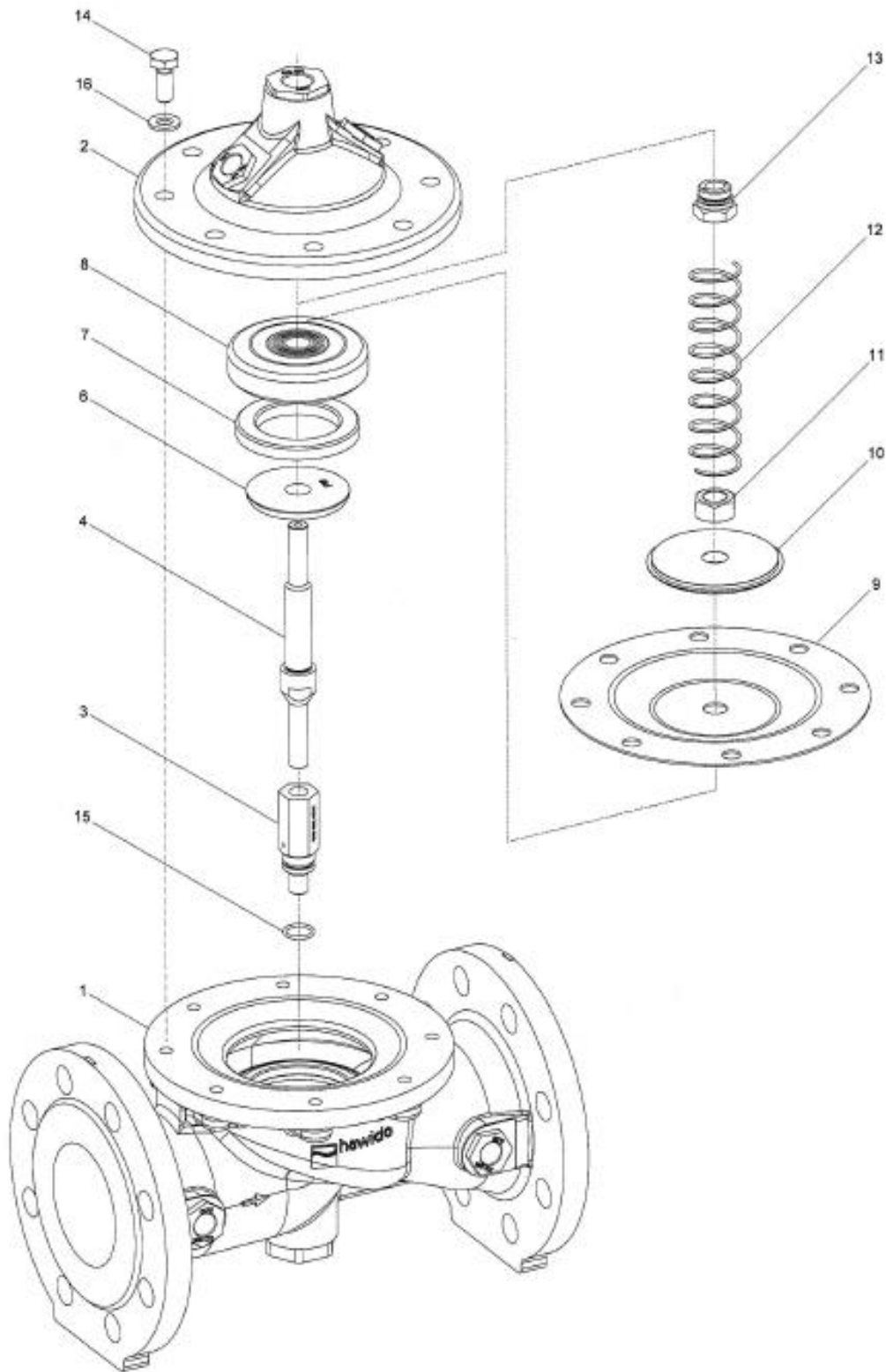
Important:

Spare parts of EPDM (membranes, seals, o- rings) have to be stored in a dark place, protected from UV radiation!

Durability in dark storage:

EPDM: eight years after production

3.1 Main valve with stainless steel connection DN 40 to DN 200 (drawing)



08.12.2011

3.2 Main valve (Parts list)

Item.	Description	Material	Article number				
			DN 40	DN 50	DN 65	DN 80	DN 100
1	Body °	GJS-400	1004 040 000	1004 050 000	1004 065 000	1004 080 000	1004 100 000
2	Valve cover	GJS-400	1014 050 000	1014 050 000	1014 065 000	1014 080 000	1014 100 000
3	Spindle guide cover	INOX	1024 900 000	1024 900 001	1024 900 002	1024 900 003	1024 900 004
4	Spindle	INOX	1026 050 000	1026 050 000	1026 065 000	1026 080 000	1026 100 000
5	Seat	INOX	*	*	*	*	*
6	Counter seat	INOX	1044 040 001	1044 050 001	1044 065 001	1044 080 001	1044 100 001
7	Seal	EPDM	1022 040 000	1022 050 000	1022 065 000	1022 080 000	1022 100 000
8	Seal carrier	INOX	1027 040 200	1027 050 200	1027 065 200	1027 080 200	1027 100 200
9	Diaphragm	EPDM	1021 050 001	1021 050 001	1021 065 001	1021 080 001	1021 100 001
10	Pressure disc	INOX	1047 050 000	1047 050 000	1047 065 000	1047 080 000	1047 100 000
11	Nut	INOX	0007 710 080	0007 710 080	0007 712 080	0007 716 080	0007 716 080
12	Spring	INOX	1049 050 000	1049 050 000	1049 065 000	1049 080 000	1049 100 000
	Spring for valves installed upright position	INOX	1050 050 000	1050 050 000	1050 065 000	1050 080 000	1050 100 000
13	Spindle guide cover	INOX	1042 900 000	1042 900 000	1042 900 001	1042 900 002	1042 900 002
14	Hexagonal screw	INOX	0006 608 025	0006 608 025	0006 610 025	0006 610 025	0006 612 030
15	O-ring	EPDM	0170 012 020	0170 012 020	0170 012 020	0170 016 020	0170 016 020
16	Washer	INOX	0008 208 000	0008 208 000	0008 210 000	0008 210 000	0008 212 000
	Main valve complete	PN10 - 25	1200 040 000	1200 050 000		1200 080 000	
	Main valve complete	PN10/16	--	--	1200 065 000		1200 100 000
	Main valve complete	PN25			1200 065 025		1200 100 025
	Repair kit for main valve with stainless steel connection, comprising item 7, 9, 15, 18	PN10 - 25	1080 040 000	1080 050 000	1080 065 000	1080 080 000	1080 100 000

° Pressure stage / check flange

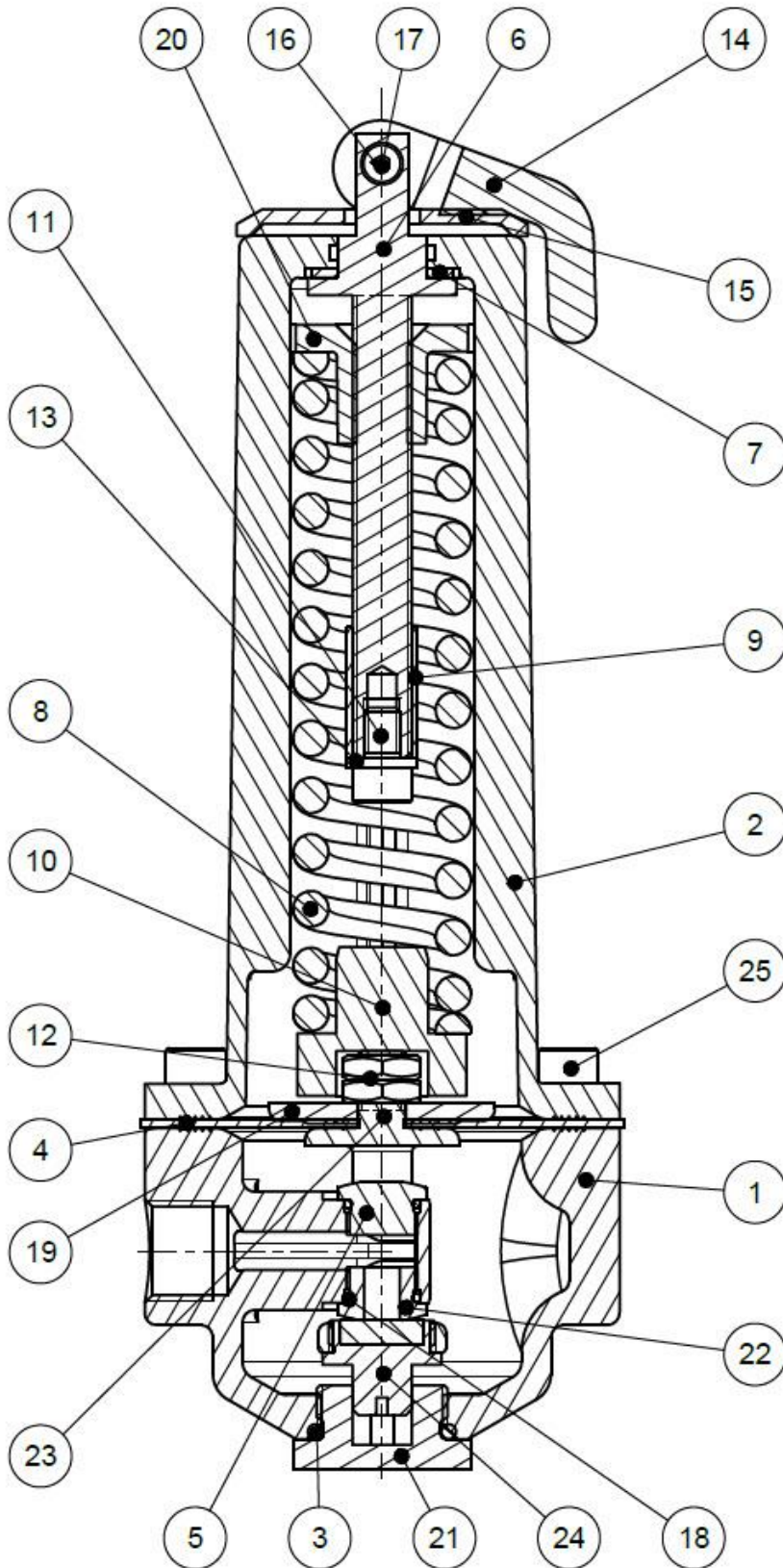
Item	Description	Material	Article number		
			DN 125	DN 150	DN 200
1	Body °	GJS-400	1004 125 000	1004 151 000	1004 200 000
2	Valve cover	GJS-400	1014 125 000	1014 151 000	1014 200 000
3	Spindle guide cover	INOX	1024 900 005	1024 900 005	1024 900 006
4	Spindle	INOX	1026 125 000	1026 151 000	1026 200 000
5	Seat	INOX	*	*	*
6	Counter seat	INOX	1044 125 001	1044 150 001	1044 200 001
7	Seal	EPDM	1022 125 150	1022 151 000	1022 200 000
8	Seal carrier	INOX	1027 125 200	1027 151 200	1027 200 200
9	Diaphragm	EPDM	1021 125 001	1021 151 001	1021 200 001
10	Pressure disc	INOX	1047 125 150	1047 151 000	1047 200 000
11	Nut	INOX	0007 720 080	0007 720 080	0007 724 080
12	Spring	INOX	1049 125 150	1049 151 150	1049 200 000
	Spring for valves installed upright position	INOX	1050 125 150	1050 151 000	1050 200 000
13	Spindle guide cover	INOX	1042 900 003	1042 900 003	1042 900 004
14	Hexagonal screw	INOX	0006 616 035	0006 616 035	0006 620 045
15	O-ring	EPDM	0170 018 020	0170 018 020	0170 021 020
16	Washer	INOX	0008 216 000	0008 216 000	0008 220 000
21	Retaining bracket	INOX	--	--	1200 900 020
	Main valve complete	PN10	1200 125 000	1200 151 000	1200 200 000
	Main valve complete	PN16	1200 125 000	1200 151 000	1200 200 016
	Main valve complete	PN25	1200 125 025	1200 151 025	1200 200 025
	Repair kit for main valve with stainless steel connection, comprising item 7, 9, 15, 18	PN10 – 25	1080 125 150	1080 151 000	1080 200 000

° Pressure stage / check flange

* not interchangeable

10.02.2025/AWT

3.3 Control valve pressure reducing stainless steel (design)



05.09.2017

3.4 Control valve pressure reducing stainless steel (parts list)

Item.	Description	Material	Article number
			PN 16/25
1	Body	INOX	1100 200 000
2	Cover	INOX	1108 200 000
3	O-Ring	EPDM	0170 020 025
4	Diaphragm DN3/8"	EPDM	1121 000 000
5	Seat Compact Form 1.0, blind	INOX	1117 200 000
6	Pressure screw	INOX	1133 200 000
7	Seal Fiber 10/25 x 1	Gummi	0132 024 015
8	Spring standard,... (see chart below)	INOX	1145 200 000
9	Distance collar for spring	INOX	1133 300 000
10	Spring guide	INOX	1133 400 000
11	Cylinder screw M6 x 10	INOX	0004 506 010
12	Hex nut M8 x 0.5d	INOX	0007 208 050
13	Washer	INOX	0008 206 000
14	Adjusting lever	Kst – PA6.6	1135 000 001
15	Washer for adjusting lever	Kst – PA6.6	1135 000 010
16	Axis for clamp lever	INOX	1135 000 011
17	Cylinder screw M4 x 16	INOX	0004 804 016
18	O-Ring	EPDM	0170 010 015
19	Pressure disc	INOX	1129 012 000
20	Pressure collar nut	Bronze	1134 000 010
21	Guide pin (DRV/MBV)	INOX	1137 000 000
22	Cover Compact Form 1.0, 6 mm	INOX	1117 200 001
23	Strap	INOX	1136 000 002
24	Seal support	INOX/EPDM	1120 200 000
25	Cylinder screw M6 x 16	INOX	0004 506 016
		REGULATING RANGE:	
	Control valve (Standard)	1.5 – 12 bar	1900 001 000
	Control valve, blue label	0.2 – 5 bar	1900 001 001
	Control valve, yellow label	10 – 22 bar	1900 001 002
	Repair kit comprising item: Pos. 3, 4, 18 (2 Stk.), 24		1180 000 020

20.12.2024


3.5 Control line and accessories



Masternumber Description	Picture	Size more sizes might be available	Art. number
0130 Composite sealing ring		stainless steel /NBR 3/8" stainless steel /NBR 1/2" stainless steel /NBR 3/4" steel/NBR 1"	0130 012 000 0130 016 000 0130 025 000 0130 032 000
0273 Single component		Fitting attachment (consisting of connecting nut and clamping ring) DN 12 stainless steel Union nut (without clamping ring)	0273 012 000 0274 xxx xxx
0275 Support sleeve		stainless steel d4 – 6 stainless steel d12 – 9 stainless steel d12 – 10	0275 006 004 0275 012 009 0275 012 010
0283 Clamping ring		d6 stainless steel d12 stainless steel d18 stainless steel d8 - 6 stainless steel	0283 006 000 0283 012 000 0283 018 000 0283 008 006
0284 Orifice		d12 stainless steel Ø 0.6 mm d12 stainless steel Ø 0.9 mm d12 stainless steel Ø 1.2 mm d12 stainless steel Ø 1.5 mm d12 stainless steel Ø 1.9 mm d12 stainless steel Ø 2.4 mm d12 stainless steel Ø 3.1 mm d18 stainless steel Ø 3.5 mm d18 stainless steel Ø 4.0 mm	0284 006 000 0284 009 000 0284 012 000 0284 015 000 0284 019 000 0284 024 000 0284 031 000 0284 035 010 0284 040 010
0311 Male adaptor union		d 12 - 3/8" stainless steel d 12 - 1/2" stainless steel d 6 - 1/8" stainless steel d 6 - 1/4" stainless steel d 6 - 3/8" stainless steel d18 – 1/2" stainless steel	0311 012 012 0311 012 016 0311 006 004 0311 006 008 0311 006 012 0311 018 016
0323 Straight union		DN 6 stainless steel DN 12 stainless steel	0323 006 000 0323 012 000
0324 Straight screw-on screwed fitting		d12 - 3/8" stainless steel	0324 012 012
0351 Reduction union		d6 - d12 stainless steel	0351 012 006
0361 Female adaptor		d 10 - 3/8" stainless steel d 12 - 3/8" stainless steel d 12 - 1/2" stainless steel d 18 – 1/2" stainless steel	0361 010 012 0361 012 012 0361 012 016 0361 018 016
0371 Male adaptor		DN 12 - 3/8" stainless steel	0371 012 012

0401 Sleeve		3/8" stainless steel 1/2" stainless steel 3/4" stainless steel 1" stainless steel	0401 012 000 0401 016 000 0401 025 000 0401 032 000
0411 Adjustable male adaptor		DN 6 - 1/8" stainless steel DN12 - 3/8" stainless steel	0411 006 004 0411 012 012
0431 Male adaptor elbow union		DN 6 - 1/8" stainless steel DN6 - 1/4" stainless steel DN12 - 3/8" stainless steel DN18 - 1/2" stainless steel	0431 006 004 0431 006 008 0431 012 012 0431 018 016
0431 Male adaptor elbow union with venting		DN12 - 3/8" stainless steel	0431 012 013
0451 Elbow union 90°		DN6 stainless steel DN12 stainless steel DN18 stainless steel	0451 006 000 0451 012 000 0451 018 000
0455 Female adaptor elbow union 90°		IG 3/8" stainless steel IG 1/2" stainless steel IG 3/4" stainless steel IG 1" stainless steel	0455 012 000 0455 016 000 0455 025 000 0455 032 000
0456 Female adaptor elbow union 90°		IG 3/8" - AG 3/8" stainless steel IG 1/2" - AG 1/2" stainless steel IG 3/4" - AG 3/4" stainless steel IG 1" - AG 1" stainless steel	0456 012 000 0456 016 000 0456 025 000 0456 032 000
0461 T-union		d6 stainless steel d12 stainless steel d12 - 6 - 12 stainless steel d18 stainless steel	0461 006 000 0461 012 000 0461 012 006 0461 018 000
0510 Plug		AG 3/8" konisch stainless steel AG 1/2" konisch stainless steel	0510 012 000 0510 016 000
0511 Plug aeration for Hawido		AG 1/2" stainless steel AG 3/4" stainless steel AG 1" stainless steel (hexagon socket)	0511 016 000 0511 025 000 0511 032 001
0520 Hexagonal male adaptor nipple		d 1/8" stainless steel d 1/4" stainless steel d 3/8" stainless steel d 1/2" stainless steel d 3/4" stainless steel	0520 004 000 0520 008 000 0520 012 000 0520 016 000 0520 025 000
0541 Ball valve		DN 3/8" stainless steel DN 1/2" stainless steel DN 3/4" stainless steel	0541 012 001 0541 016 000 0541 025 000

<p>0545 Y-filter</p>		<p>Y-filter stainless steel IG 3/8" Single components: Filter sieve stainless steel Plug complete Seal big for Y-filter O-Ring</p> <p>Y-filter stainless steel 1/2"</p>	<p>0545 112 002</p> <p>0545 900 051 0545 112 010 0545 112 011 0545 112 012</p> <p>0545 116 000</p>
<p>0549 One-way flow restrictor & Throttle valve</p>		<p>Stainless steel IG 3/8" Typ B d 12 with a long spindle</p>	<p>0549 000 005</p>
<p>0570 Non-return valve</p>		<p>3/8" Brass (max. 40 bar) 1/2" Brass (max. 40 bar)</p>	<p>0570 012 045 0570 016 045</p>
<p>0600 Manometer</p>		<p>AG 3/8" 0 - 6 bar AG 3/8" 0 - 10 bar AG 3/8" 0 - 16 bar AG 3/8" 0 - 25 bar AG 3/8" 0 - 40 bar AG 3/8" 0 - 60 bar</p>	<p>0600 012 006 0600 012 010 0600 012 016 0600 012 025 0600 012 040 0600 012 060</p>
<p>0610 Solenoid valves</p>		<p>Solenoid valve normally open 2/2 way valve (1795/96) 122K84</p> <p>Solenoid valve normally closed 2/2 way valve (1795/96) E121K04</p> <p>Solenoid valve normally open 3/2 way valve (1703 up to DN 100 1603, 1706 PN 16 all diameters) 132K04</p> <p>Solenoid valve normally closed 3/2 way valve (1704 up to DN 100, 1604) E131K04</p> <p>Solenoid valve normally open 2/2 way valve (1704 DN 125 and above 1304, 1404, 1504) (old version: E322 H73 06)</p> <p>Solenoid valve normally closed 2/2 Wegeventil (zu 1703 ab DN 125, 1303, 1403, 1503, 1706 PN 25 ab DN 125) (old version: E321 H13)</p> <p>Magnetventil universel 3/2 way valve (1706 PN 25 up to DN 100)</p> <p>*****</p> <p>Spare part : Diaphragm for solenoid type 0610 510 001 and 0610 510 002</p> <p>Spare parts Kit for solenoid valve type 0610 510 001</p>	<p>0610 122 084</p> <p>0610 121 004</p> <p>0610 132 004</p> <p>0610 131 004</p> <p>0610 510 002</p> <p>0610 510 001</p> <p>0610 133 005</p> <p>*****</p> <p>0610 590 001</p> <p>0610 590 002</p>

<p>0620 Coil</p>		<p>Coil AC voltage Indicate the voltage</p> <p>Coil DC voltage Indicate the voltage</p>	<p>0620 xxx xxx</p> <p>0621 xxx xxx</p>
<p>0630 Appliance socket for electric coil</p>		<p>Appliance socket for electric coil</p>	<p>0630 000 000</p>
<p>0652, 0653 Plug module Type LBV</p>		<p>Plug module for solenoid valves Type LBV 24 DC = 8-14S incl. 2m cable</p> <p>Plug module for solenoid valves Type LBV 24, IP 65 IN: 48-230VAC/DC OUT: 48VDC incl. 2m cable 3-wire</p> <p>For use with 48VDC coils only</p>	<p>0653 024 008</p> <p>0653 230 000</p>
<p>0670 Hexagonal overcut</p>		<p>AG 3/8" IG 1/8" stainless steel AG 3/8" IG 1/4" stainless steel AG 1/2" IG 3/8" stainless steel AG 3/4" IG 3/8" stainless steel AG 1" IG 1/8" stainless steel</p>	<p>0670 012 004 0670 012 008 0670 016 012 0670 025 012 0670 032 012</p>
<p>0671 Threaded connection</p>		<p>AG 3/8" IG 1/2" stainless steel AG 3/4" IG 1" stainless steel</p>	<p>0671 016 012 06710 32 025</p>
<p>0680 Male adaptor nipple</p>		<p>AG 3/8" L = 30 mm stainless steel AG 3/8" L = 40 mm stainless steel AG 3/8" L = 50 mm stainless steel AG 3/8" L = 60 mm stainless steel AG 3/8" L = 70 mm stainless steel AG 3/8" L = 80 mm stainless steel AG 3/8" L = 110 mm stainless steel</p>	<p>0680 012 030 0680 012 040 0680 012 050 0680 012 060 0680 012 070 0680 012 080 0680 012 110</p>
<p>0690 Male reduction nipple</p>		<p>AG 3/8" - 1/8" stainless steel AG 3/8" - 1/4" stainless steel AG 1/2" - 3/8" stainless steel AG 3/4" - 3/8" stainless steel AG 1" - 3/8" stainless steel</p>	<p>0690 012 004 0690 012 008 0690 016 012 0690 025 012 0690 032 012</p>
<p>0711 T-union</p>		<p>IG 3/8" egal stainless steel IG 1/2" egal stainless steel IG 3/4" egal stainless steel IG 1" egal stainless steel</p>	<p>0711 012 000 0711 016 000 0711 025 000 0711 032 000</p>
<p>0730 Seamless pipe</p>		<p>d6 x 1mm stainless steel d12 x 1.5 mm stainless steel d15 x 1.5 mm stainless steel d18 x 1.5 mm stainless steel</p>	<p>0730 006 010 0730 012 015 0730 015 015 0730 018 015</p>
<p>0731 PA-tube</p>		<p>Tube AD 6 mm, ID 4 mm Tube AD 12 mm, ID 9 mm</p>	<p>0731 006 004 0731 012 009</p>

1188 Rep. Set Control line		From serial number 14252 (Januar 2003) DN40 bis 100 DN125 bis 300	1188 065 100 1188 125 300
		From serial number 25915 (Juni 2014, Filter Typ B (0545 112 002) DN40 bis 100 DN125 bis 200	1188 000 000 1188 000 001

Tools and accessories			
1199 Spindel stroke tester		M5 M6	1199 000 000 1199 000 010
1199 Tool for seal holder		Key for assembling the seal holder of the pilot valve	1199 000 020
5292 Grease		Hawle Typ: VR 69-252 Tube à 90 g	5292 000 000

AG: Outside thread
 IG: Inside thread

AD: Outside diameter
 ID: Inside diameter

10.02.2025

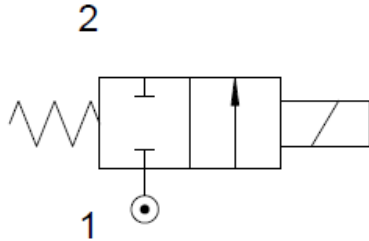
3.6 2/2-way solenoid valve

3.6.1 normally closed → Art. no.: 0610 510 001

Is installed in the following valve types:

1503, 1593, 1403, 1493, 1303, 1703, 1603 from DN125, 1706 from DN125/PN25

This version is fitted with a *manual override*



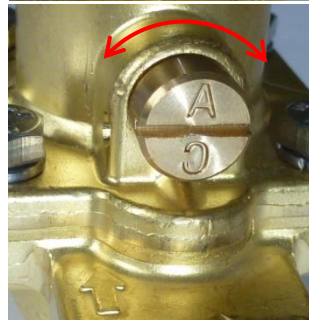
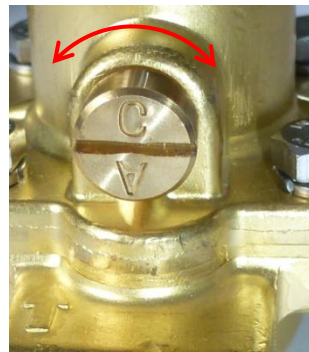
Normal operation (C = closed):

The letter C on the set screw is at the top.

This means that the solenoid valve can be opened and closed with the coil = normal operation.

Open (A = emergency opening of valve):

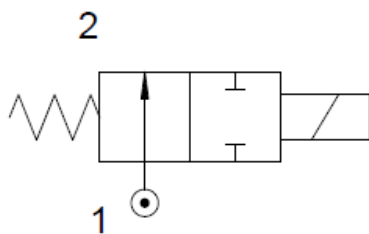
The letter A on the set screw is at the top. This means that the valve is normally open.



3.6.2 Normally open → Art. no.: 0610 510 002

Is installed in the following valve types:

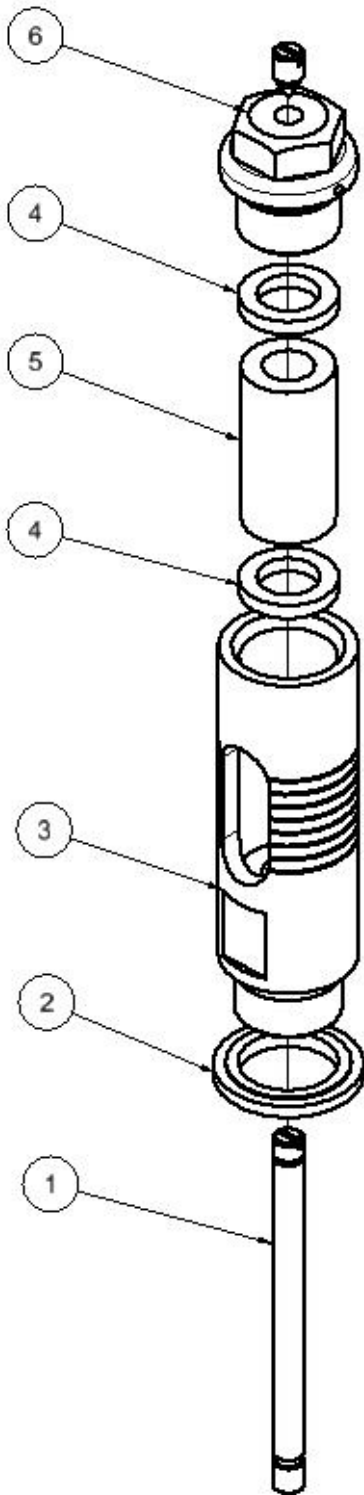
1504, 1594, 1404, 1494, 1304, 1704, 1604 from DN125



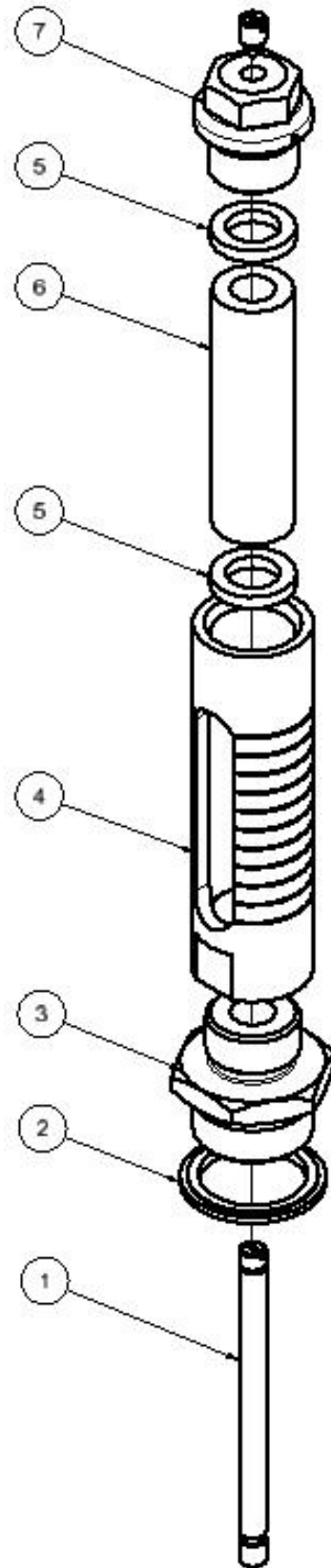
02.05.2016/plü

3.7 Optical position indicator (Drawing)

DN 40 – DN 100



DN 125 – DN 300



12.03.2014/plü

3.8 Optical position indicator (Parts list)

Item	Description	Material	Article number				
			DN 40	DN 50	DN 65	DN 80	DN 100
1	Indicator pin	Stainless steel	1992 000 050	1992 000 050	1992 000 080	1992 000 080	1992 000 100
2	Compound seal ½"	Stainless steel NBR	0130 016 000	0130 016 000	0130 016 000	0130 016 000	0130 016 000
3	Indicator body	Stainless steel	1994 000 010	1994 000 010	1994 000 010	1994 000 010	1994 000 010
4	Seal	EPDM70	1992 900 030	1992 900 030	1992 900 030	1992 900 030	1992 900 030
5	Sight tube	Glass	1993 050 100	1993 050 100	1993 050 100	1993 050 100	1993 050 100
6	Plug ½"	Stainless steel	0511 016 000	0511 016 000	0511 016 000	0511 016 000	0511 016 000
	Optical position indicator, complete		1995 000 050	1995 000 050	1995 000 080	1995 000 080	1995 000 100
	Repair kit consisting of Items 2 and 4		1996 000 000	1996 000 000	1996 000 000	1996 000 000	1996 000 000

Item	Description	Material	Article number				
			DN 125	DN 150	DN 200	DN 250	DN 300
1	Indicator pin	Stainless steel	1992 000 125	1992 000 150	1992 000 200	1992 000 250	1992 000 300
2	Compound seal ¾"	Stainless steel NBR	0130 025 000	0130 025 000	0130 025 000		
	Compound seal 1"	Steel/NBR				0130 032 000	0130 032 000
3	Adapting nipple	Stainless steel	1992 900 020	1992 900 020	1992 900 020	1992 900 025	1992 900 025
4	Indicator body	Stainless steel	1994 000 020	1994 000 020	1994 000 020	1994 000 020	1994 000 030
5	Seal	EPDM70	1992 900 030	1992 900 030	1992 900 030	1992 900 030	1992 900 030
6	Sight tube	Glass	1993 125 250	1993 125 250	1993 125 250	1993 125 250	1993 300 000
7	Plug ½"	Stainless steel	0511 016 000	0511 016 000	0511 016 000	0511 016 000	0511 016 000
	Optical position indicator, complete		1995 000 125	1995 000 150	1995 000 200	1995 000 250	1995 000 300
	Repair kit consisting of Items 2 and 5		1996 000 010	1996 000 010	1996 000 010	1996 000 020	1996 000 020

12.03.2014/plü

E. Annex

1. Torques

When assembling the base valve and the control valves all **bolts** are checked with a torque spanner according to the following list. Lightly grease the bolts before assembling!

Base valves	Nominal size DN	Hex bolt M	Strength class ¹⁾	Tightening torque	
				Target	Max. ²⁾
	40 - 50	M 8	A4/80	22 Nm	25 Nm
	65 - 80	M 10		47 Nm	50 Nm
	100	M 12		84 Nm	87 Nm
	125 - 150	M 16		172 Nm	216 Nm
	200	M 20		285 Nm	423 Nm
	250	M 20		285 Nm	423 Nm
300	M 20	380 Nm		423 Nm	

Control valves	Type	Socket M	Strength class ¹⁾	Tightening torque	
				Target	Max.
	DRV / DAV	M 6	A2 / A4 / 70	8 Nm	8.5 Nm
	MBV / RBS				
Control valve	Hex bolt M	Strength class	Tightening torque		
NAZ	M 6	A2 / A4 / 70	8 Nm	8.5 Nm	

(Not for new applications)

Base valves	Nominal size DN	Hex bolt M	Strength class ¹⁾	Tightening torque	
				Target	Max.
	40 - 50	M 8	A2/70	17 Nm	19 Nm
	65	M 10		33 Nm	36 Nm
	80	M 10		40 Nm	40 Nm
	100	M 12		70 Nm	72 Nm
	125 - 150	M 16		172 Nm	172 Nm
	200	M 20		280 Nm	285 Nm
	250	M 20		280 Nm	285 Nm
300	M 20	235 Nm		240 Nm	

Caution: ¹⁾ = Note designation on screw head A2 – 70 or A4 – 80!

²⁾ = Maximum permitted torque according to strength analysis

Bolts according to SN EN ISO 4014 and SN EN ISO 4017

As at: FO 0065, Rev. 12 / 19.12.2017

F. Hawle in Europe

Addresses:

Hawle Armaturen AG
Hawlestrasse 1
CH-8370 Sirnach
www.hawle.ch

Telefon +41 (0)71 969 44 22
Telefax +41 (0)71 969 44 11

Hawle Armaturen GmbH
Liegnitzer Strasse 6
D-83395 Freilassing
www.hawle.de

Telefon +49 (0)8654 63 03 - 0
Telefax +49 (0)8654 63 03 60

E. Hawle Armaturenwerke GmbH
Wagrainerstr. 13
A-4840 Vöcklabruck
www.hawle.at

Telefon +43 (0)76 72/72 576 0
Telefax +43 (0)76 72 78 464

Hawle Kft
Dobogókoi út 5
H-2000 Szentendre
www.hawle.hu

Telefon +36 (0) 26 501 501
Telefax +36 (0) 26 501 502

Hawle Armatury spol. s r.o.
Ricanská 375
CZ-25242 Jesenice u.Prahy
www.hawle.cz

Telefon +420 (0)2 410 03 111
Telefax +420 (0)2 41 00 33 33

Hawle Spółka zo.o
ul. Piaskowa 9
PL-62-028 Kozięglowy
www.hawle.pl

Telefon +48 (0)61 811 14 00
Telefax +48 (0)61 811 14 27

Hawle s.r.o.
Pezinská c.30
SK-903 01 Senec
www.hawle.sk

Telefon +421 (0)2 45 92 21 87
Telefax +421 (0)2 45 92 21 88

S.C. Hawle S.R.L.
Calea Sagalui 104
RO-300516 Timisoara
www.hawle.ro

Telefon +40 268 47 78 81
Telefax +40 356 80 06 68

DM Armaturen EOOD
Ul. Lokomotiv 7
BG-1220 Sofia
www.hawle.bg

Telefon +359 (0)2 931 12 77
Telefax +359 (0)2 931 04 36

Partners:

19.08.2014-1/plü